

## CEFL101 Thru CEFL105

**Reverse Voltage: 50 - 600 Volts**  
**Forward Current: 1.0 Amp**

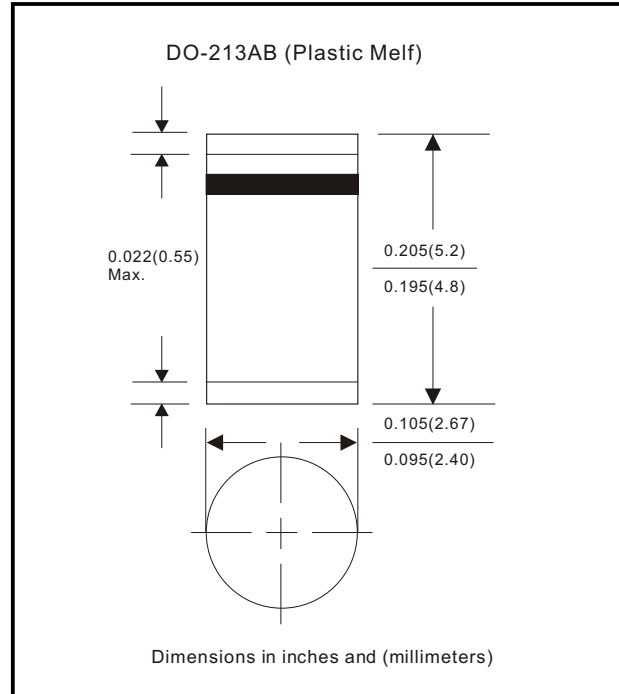


### Features

- Ideal for surface mount applications
- Easy pick and place
- Plastic package has Underwriters Lab. flammability classification 94V-0
- Super fast recovery time for high efficient
- Built-in strain relief
- Low forward voltage drop

### Mechanical Data

- Case: Mini-SMA/SOD-123 molded plastic
- Terminals: solderable per MIL-STD-750, method 2026
- Polarity: Color band denotes cathode end
- Mounting position: Any
- Approx. Weight: 0.116 gram



### Maximum Ratings and Electrical Characteristics

Parameter	Symbol	CEFL 101	CEFL 102	CEFL 103	CEFL 104	CEFL 105	Unit
Max. Repetitive Peak Reverse Voltage	V <sub>RRM</sub>	50	100	200	400	600	V
Max. DC Blocking Voltage	V <sub>DC</sub>	50	100	200	400	600	V
Max. RMS Voltage	V <sub>RMS</sub>	35	70	140	280	420	V
Peak Surge Forward Current 8.3ms single halfsine-wave superimposed on rate load ( JEDEC method)	I <sub>FSM</sub>	30					A
Max. Average Forward Current	I <sub>o</sub>	1.0					A
Max. Instantaneous Forward Current at 2.0 A	V <sub>F</sub>	0.875			1.1	1.25	V
Reverse recovery time	T <sub>rr</sub>	25			35	50	nS
Max. DC Reverse Current at Rated DC Blocking Voltage Ta=25°C Ta=100°C	I <sub>R</sub>	5.0 250					uA
Typical. Thermal Resistance (Note 1)	R <sub>θJL</sub>	50					°C/W
Operating Junction Temperature	T <sub>j</sub>	-55 to +150					°C
Storage Temperature	T <sub>STG</sub>	-55 to +150					°C

Note 1: Thermal resistance from junction to lead P.C.B. Mounted on 8.0x8.0 mm copper pad areas.

## Rating and Characteristic Curves (CEFL101 Thru CEFL105)

Fig. 1 - Reverse Characteristics

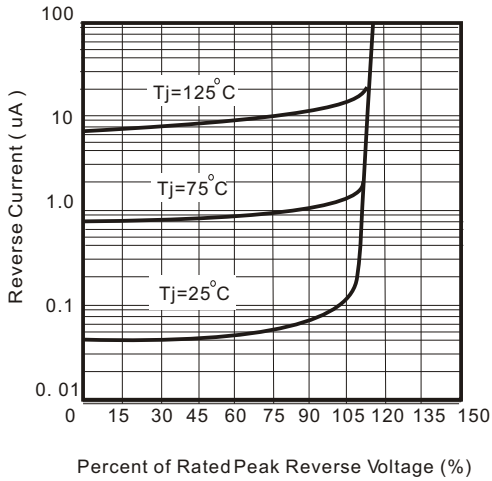


Fig.2 - Forward Characteristics

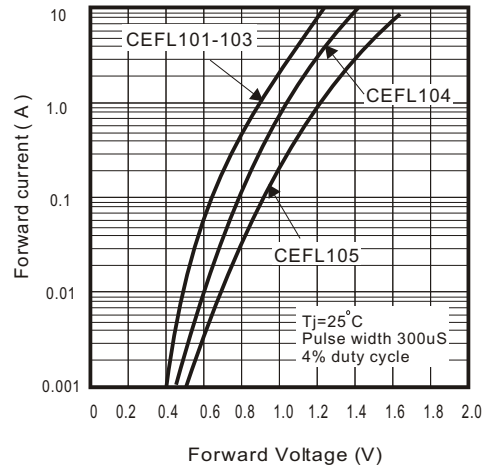


Fig. 3 - Junction Capacitance

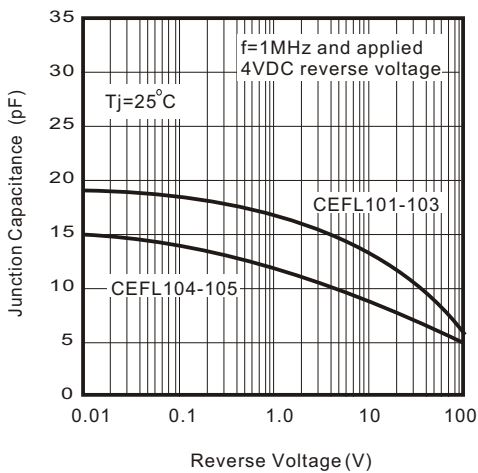


Fig. 4 - Non Repetitive Forward Surge Current

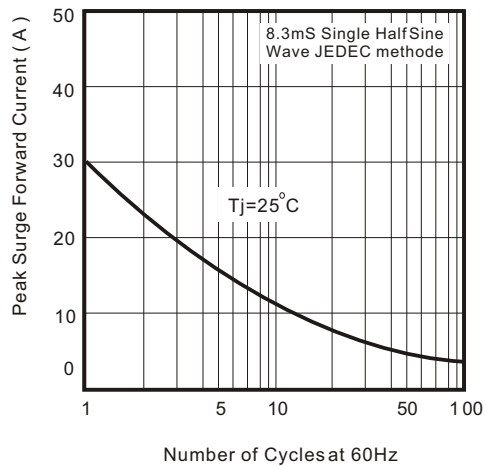
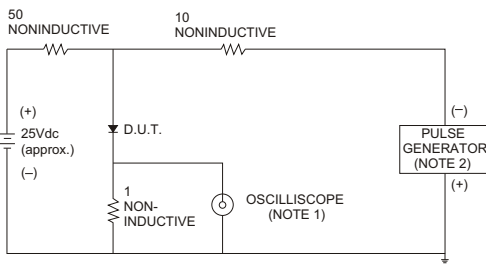


Fig. 5 - Test Circuit Diagram and Reverse Recovery Time Characteristics



NOTES: 1. Rise Time= 7ns max., Input Impedance= 1 megohm, 22pF.  
2. Rise Time= 10ns max., Source Impedance= 50 ohms.

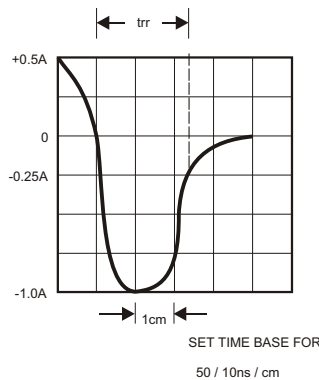


Fig. 6 - Current Derating Curve

